

API 6D FLANGED END SWING CHECK VALVE

Model : Series SCF Class 300, NPS 2" ~ 4"

• Features:

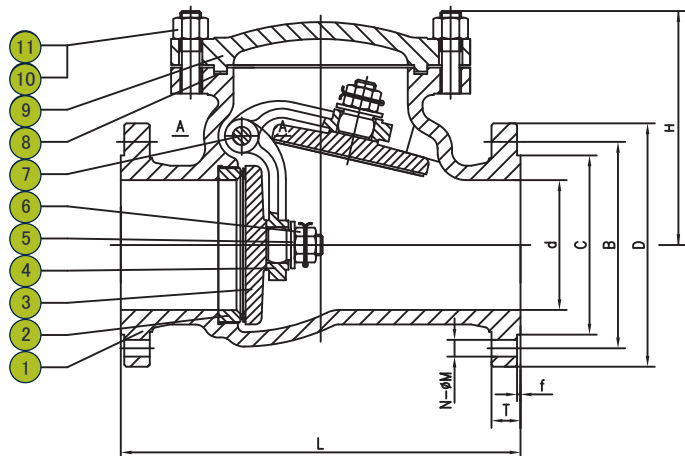
- Cast steel body construction providing liberal strength to meet most conditions
- Effectively prevents reversal of flow through pipe lines.
- Bolted bonnet; robust construction.
- Available in Flanged end connection; butt weld ends may be available.
- 100% tested according to API 598.
- Not recommended for vertical installation.

• Standards

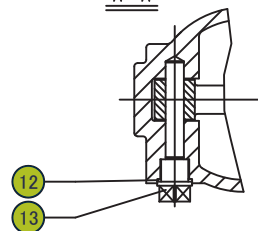
- Design to ASME B16.34
- Face-to-Face/End-to-End: ASME B16.10
- Flange Dimensions: ASME B16.5
- Weld End: ASME B.16.25
- Basic Design: API 6D
- Testing to API 598

MATERIALS LIST:

NO.	PART NAME	MATERIAL
1	BODY	ASTM A216 WCB
2	SEAT RING	ASTM A105 +13Cr
3	DISC	ASTM A216 WCB + 13Cr
4	HINGE	ASTM A216 WCB
5	DISC WASHER	AISI 1025
6	DISC NUT	ASTM A194 2H
7	HINGE PIN	ASTM A276 410
8	BONNET GASKET	SS304+FLEXIBLE GRAPHITE
9	BONNET	ASTM A216 WCB
10	BONNET NUT	ASTM A194 2H
11	BONNET BOLT	ASTM A193 B7
12	GASKET	COOPER ALLOY
13	DRAIN PLUG	CARBON STEEL



A-A



Dimensions (mm):

SIZE	d	D	B	C	L	H	T	f	N	M
in DN										
2" 50	49	165	127.0	92	267	150	23	1.6	8	19
2-1/2" 65	62	190	149.0	105	292	170	26	1.6	8	22
3" 80	74	210	168.5	127	318	190	29	1.6	8	22
4" 100	100	254	200.0	157	356	210	32	1.6	8	22

API 6D FLANGED END SWING CHECK VALVE

Model : Series SCF Class 300, NPS 6" ~ 24"

• Features:

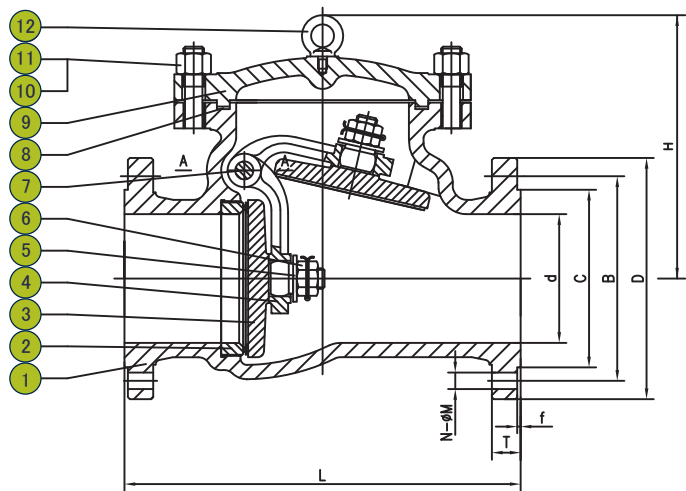
- Cast steel body construction providing liberal strength to meet most conditions
- Effectively prevents reversal of flow through pipe lines.
- Bolted bonnet; robust construction.
- Available in Flanged end connection; butt weld ends may be available.
- 100% tested according to API 598.
- Not recommended for vertical installation.

• Standards

- Design to ASME B16.34
- Face-to-Face/End-to-End: ASME B16.10
- Flange Dimensions: ASME B16.5
- Weld End: ASME B.16.25
- Basic Design: API 6D
- Testing to API 598

MATERIALS LIST:

NO.	PART NAME	MATERIAL
1	BODY	ASTM A216 WCB
2	SEAT RING	ASTM A105 +13Cr
3	DISC	ASTM A216 WCB + 13Cr
4	HINGE	ASTM A216 WCB
5	DISC WASHER	AISI 1025
6	DISC NUT	ASTM A194 2H
7	HINGE PIN	ASTM A276 410
8	BONNET GASKET	SS304+FLEXIBLE GRAPHITE
9	BONNET	ASTM A216 WCB
10	BONNET NUT	ASTM A194 2H
11	BONNET BOLT	ASTM A193 B7
12	HOOK SCREW	CARBON STEEL
13	GASKET	COOPER ALLOY
14	DRAIN PLUG	CARBON STEEL



Dimensions (mm):

SIZE	d	D	B	C	L	H	T	f	N	M
in DN										
6" 150	150	318	270.0	216	444	360	37	1.6	12	22
8" 200	201	381	330.0	270	533	370	42	1.6	12	25
10" 250	252	445	387.5	324	622	385	48	1.6	16	29
12" 300	303	521	451.0	381	711	440	51	1.6	16	32
14" 350	334	584	514.5	413	838	520	54	1.6	20	32
16" 400	385	648	571.5	470	864	554	58	1.6	20	35
18" 450	436	711	628.5	533	978	620	61	1.6	24	35
20" 500	487	775	686.0	584	1016	680	64	1.6	24	35
24" 600	589	914	813.0	692	1346	770	70	1.6	24	41

